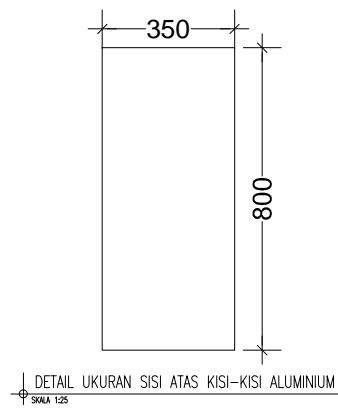
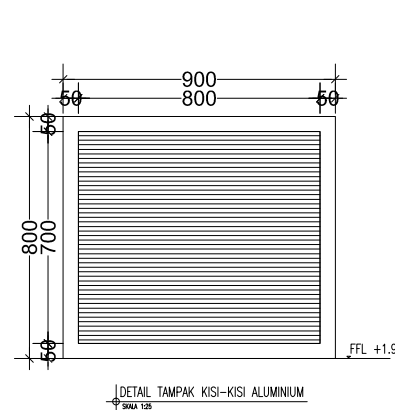


- GENTENG KODOK CAT BIRU
- BUBUNGAN 200 mm
- LIS PLANK mm
- WHITE PALIMANAN 300x600 mm
- FINISHING CAT TEMBOK WEATHERSHIELD
- GLASSBLOCK 200x200x80 mm
- ROSTER KERAMIK 200x200xmm
- REILING PAS. BATA
- PLANTER BOX
- LIS PLANK BETON
- KISI-KISI ALUMINIUM
- GLASSBLOCK 20x20x80 mm
- PAS. BATU ANDESIT SUSUT SIRIH 200x400 mm



TAMPAK SELATAN
SKALA 1:100

| | | | | | | | | | | | |
|---|-----------------|--------------------------|-------------------------|----------------------|--------------------------------------|------|---------------|-------------------------------|--------------|-------------|------------|
| Consultant YOBEL PROPERTY GROUP | PROJECT : | APARTMENT 2 LANTAI | CONSULTAN : | YOBEL PROPERTY GROUP | STRUCTURE ENGINEER : | | DRAWN BY : | Ni Made Dwi Antari May Astiti | | | |
| | OWNER : | IBU YUMIKO | ARCHITECTURE DESIGNER : | | MECHANICAL AND ELECTRICAL ENGINEER : | | CHECKED : | Nguh Budi Astika | | | |
| | DRAWING TITLE : | TAMPAK SAMPING (SELATAN) | | SCALE : | DATE : | DATE | REVISION NOTE | SIGNATURE | Drawing code | Page number | Total page |
| | | | FILE NAME | | OKTOBER 2019 | | | | APT-019 | 019 | |